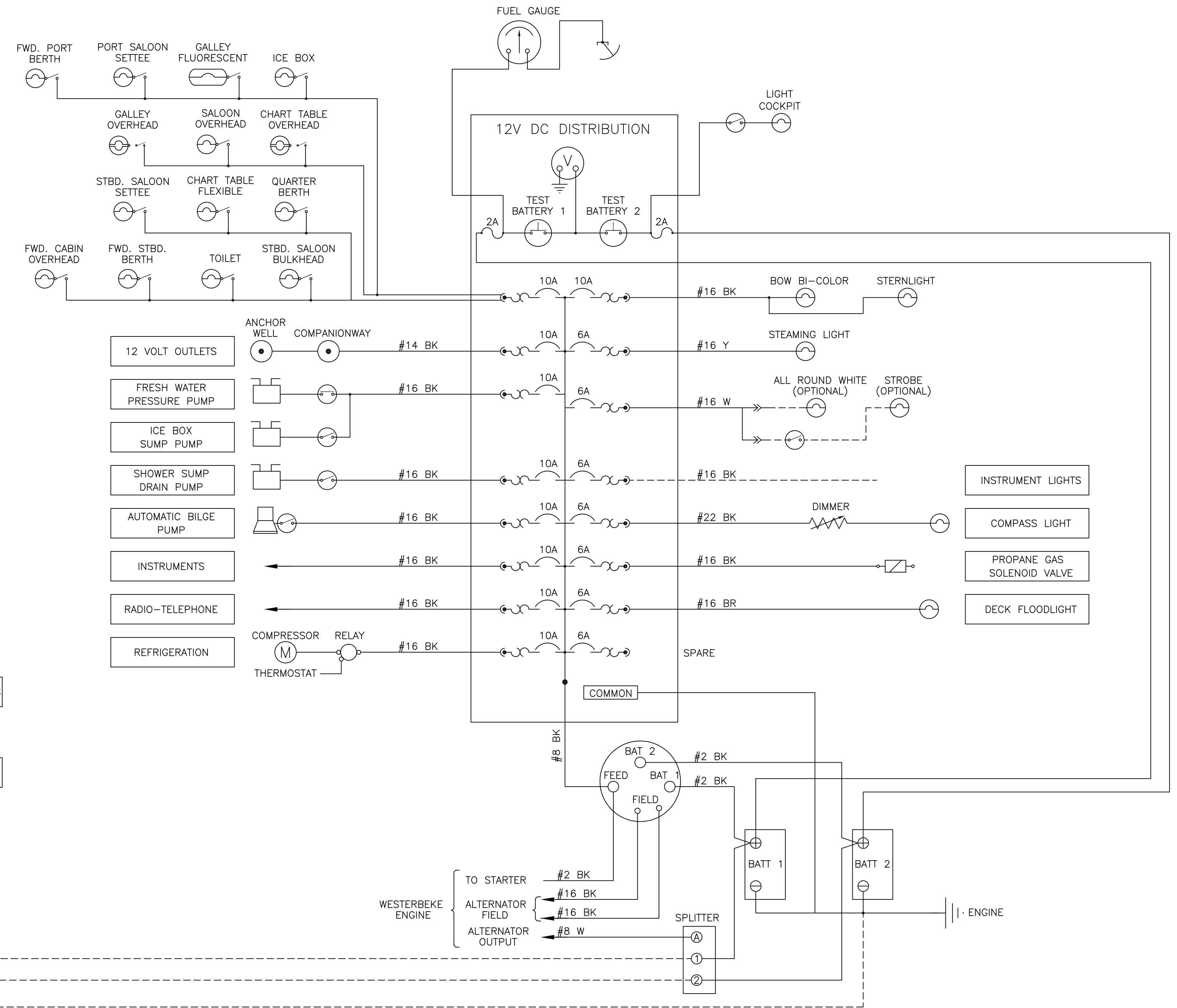
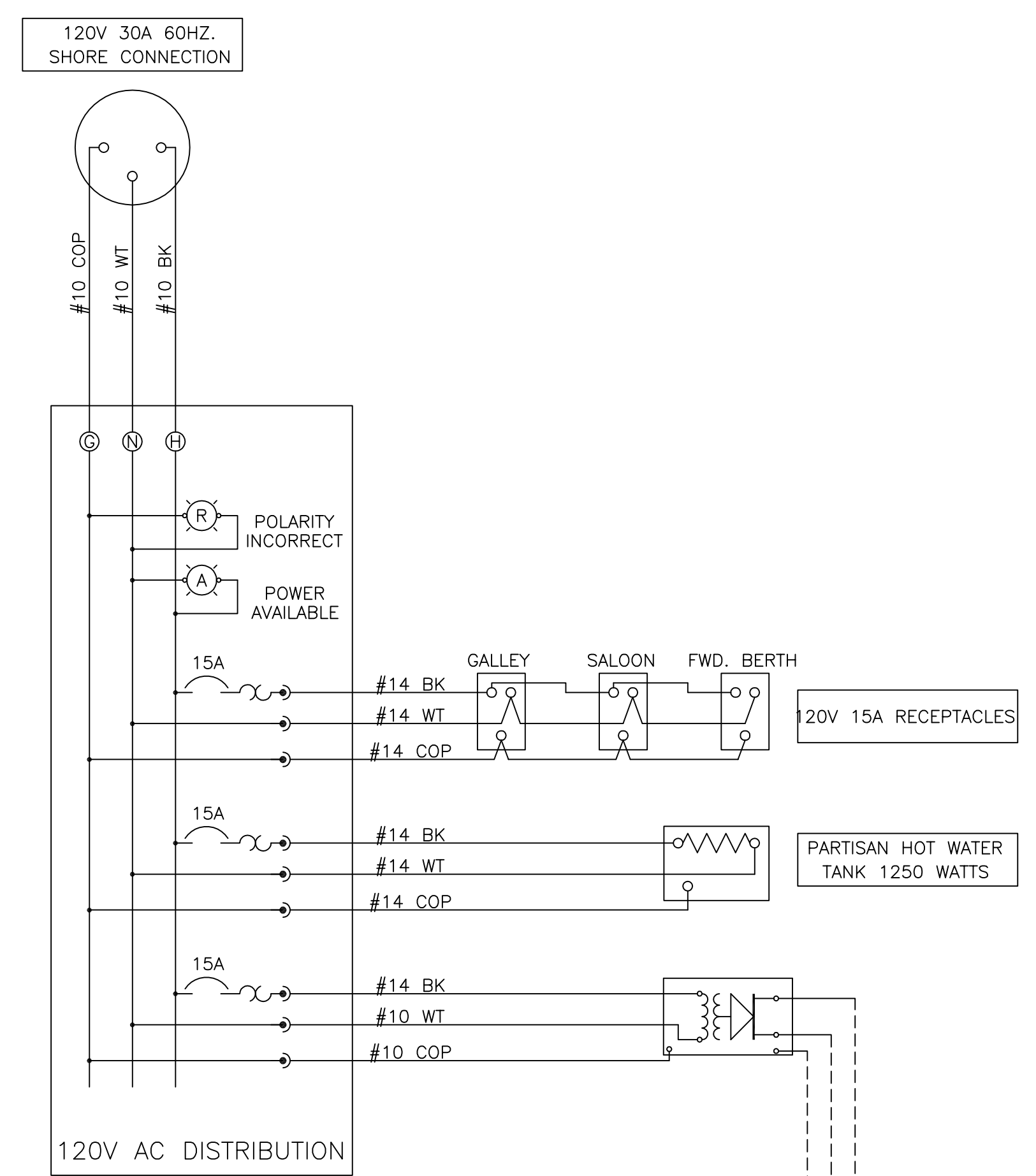
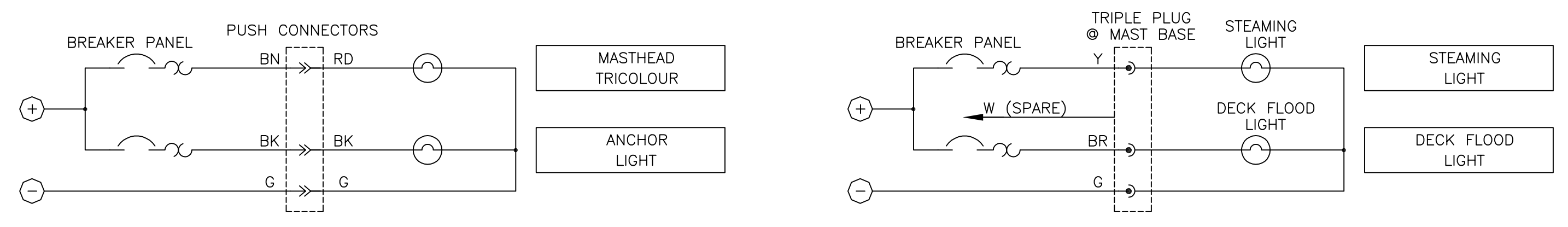


LIST OF SYMBOLS	
SYMBOL	DESCRIPTION
	CIRCUIT BREAKER
	FUSE
	PUSH CONNECTORS
	FEMALE CONNECTOR
	MALE CONNECTOR
	RED & WHITE DECKHEAD LIGHT C/W SWITCH
	WHITE DECKHEAD LIGHT C/W SWITCH
	PILOT LIGHT
	12V DC RECEPTACLE
	120V AC 15 AMP RECEPTACLE
	SWITCH
	PRESSURE SWITCH
	MALE CONNECTOR
	SOLENOID
	RHEOSTAT

CABLE COLOUR CODE	
ABBREV.	COLOUR
BK	RED
BR	BROWN
COP	COPPER
P	PURPLE
R	RED
W	WHITE
Y	YELLOW



Revision #	Date	Description	Revision #	Date	Description

Description of Project	Name of Vessel
ONE LINE ELECTRICAL DIAGRAM	36' AUXILIARY SAILING SLOOP
Drawing Sheet Title	Owner
Vessel Particulars	
LENGTH	36'-6"
BREADTH	11'-3"
DRAFT	6'-3"



Job No.	
Drawing Number	CS4/54
Revision Number	0
Drawing Scale	NA
Sheet Number	1 of 1
Drawn By	D. KEEBLE
Date	14/10/98
Checked By	
Date	